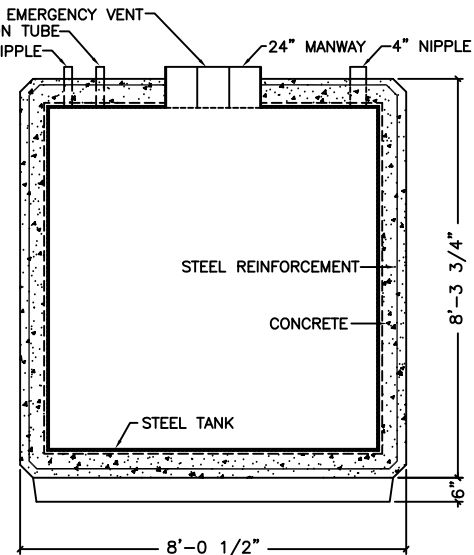
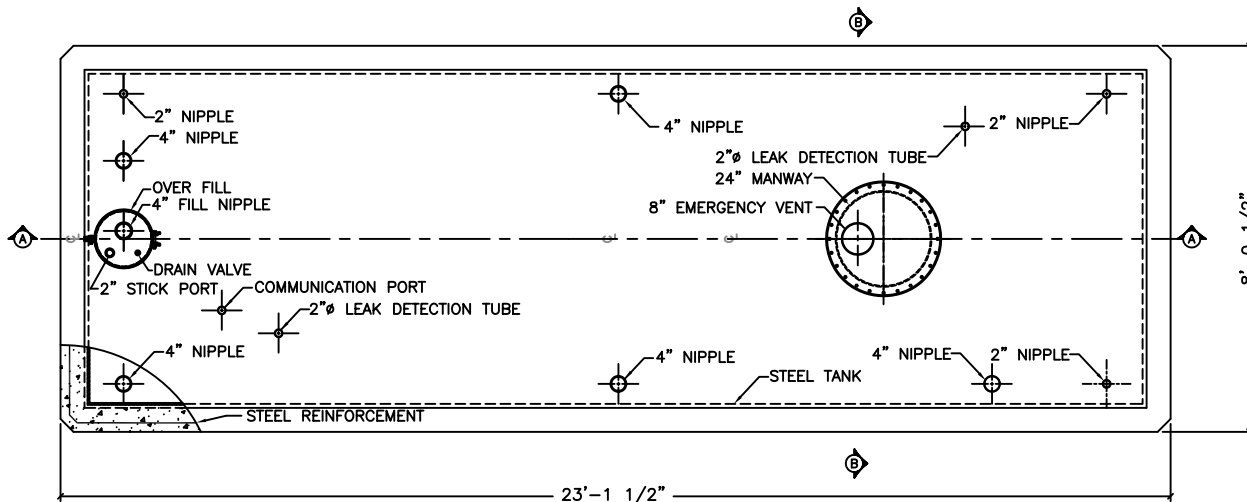


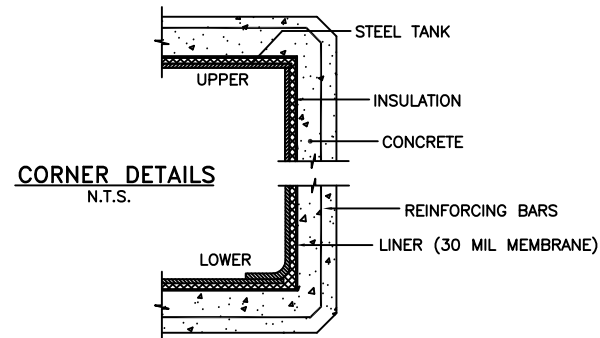
SECTION A-A



SECTION B-B



PLAN VIEW



CORNER DETAILS

- 20 YEAR WARRANTY
- 30 YEAR WARRANTY
- 7 GALLON U.L. LISTED OVERFILL CONTAINMENT (OPTIONAL)

STANDARD TOP DESIGN SHOWN, OTHER DESIGNS AVAILABLE.
 TANK MUST BE SET ACCORDING TO CONVAULT INSTRUCTIONS
 IN ORDER TO ACTIVATE WARRANTY.

PLANT LOCATION:	WEIGHT:	72,000 LBS
TELFORD, PA.	REVISION DATE:	12-05-11
TANK SIZE	SCALE:	1/4"=1'-0"
8000-GALLON	DRAWING NUMBER:	88153048



Core Engineered Solutions, Inc.
 620 Herndon Pkwy, Suite 120
 Herndon, VA 20170
 (703) 563-0320 (703) 563-0330 FAX
 www.core-es.com info@core-es.com